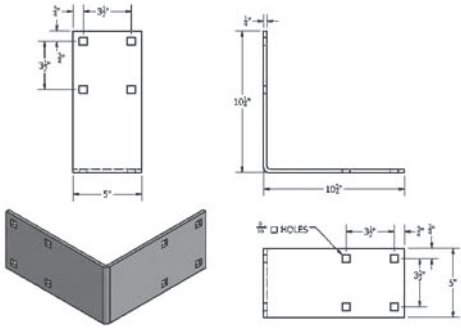


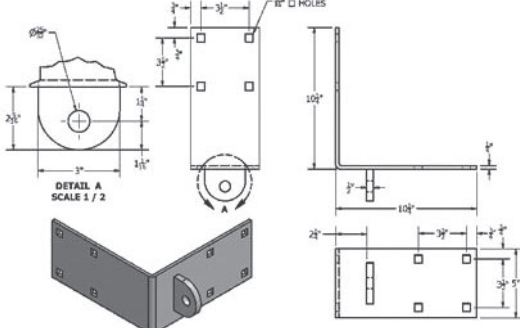
## WOOD DOCK HARDWARE

MADE WITH 1/4" HIGH STRENGTH STEEL THEN HOT DIPPED GALVANIZED

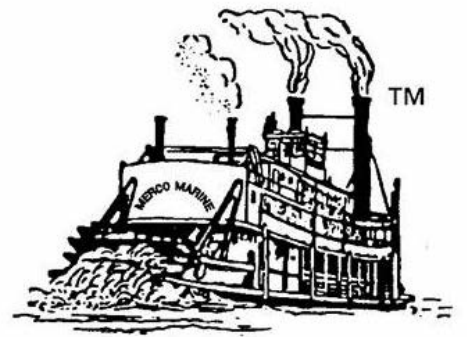


**Outside Corner End (H-OCE)** is used at the ends of fingers, end of dock or for swim platforms.

**H-OCE Ship#7 \$12.72**



**Outside Corner Male (H-OCM)** has one 1/2" tab and a hole for a 3/4" bolt or B-PIN. Would be used with an Outside Corner Female (H-OCF) or with a Single "T" Female (H-SF). **H-OCM Ship#8 \$18.34**



# MERCO MARINE™

Merco Marine is a manufacturer of boat dock building components and accessories. We were established in 1979. Everything we manufacture is made in the United States, with US Steel, and US workers.

The products shown here are only a small portion of the over 2000 items that we manufacture and keep in inventory for boat dock building and marina.

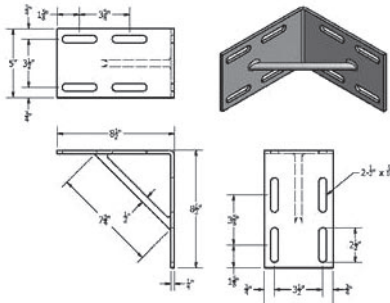
For a complete list of our products check us out on the web at [www.mercoboatdocks.com](http://www.mercoboatdocks.com) or give us a call at 304-737-3006. You can also request a free copy of our 65 page catalog.

Merco Marine can provide simple parts and pieces for your small pond or lake dock to build on site, or we can build entire marinas from start to finish.

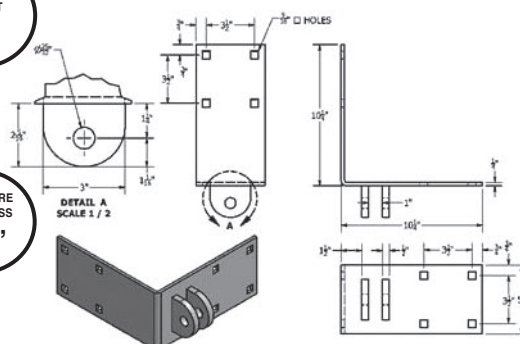
WOOD DOCK HARDWARE

HARDWARE HEIGHT  
**5"**

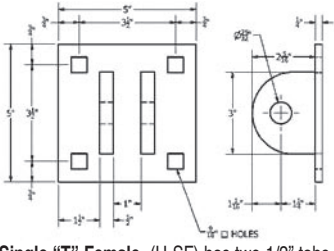
HARDWARE THICKNESS  
**1/4"**



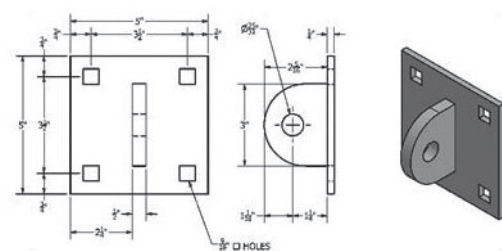
**Inside Corner (H-IC)** has slots and can be used with 1-1/2" - 3" thick wood. The inside corner sandwiches the wood between the opposite outside corner, keeping bolts from burying themselves in the wood. A corner gusset gives the unit a lot of strength and helps from racking the dock. **H-IC Ship#7 \$13.67**



**Outside Corner Female (H-OCF)** has two 1/2" tabs and a hole for a 3/4" bolt or B-PIN. Would be used with an Outside Corner Male (H-OCM) or with a Single "T" Male (H-SM). **H-OCF Ship#9 \$21.79**



**Single "T" Female (H-SF)** has two 1/2" tabs and is used with an Outside Corner Male (H-OCM) or a Single "T" Male (H-SM). Both male and female singles can be bolted to the side of a dock to make finger attachments. They can also be bolted to seawalls to make ramps. **H-SF Ship#4 \$12.79**

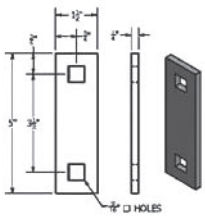


**Single "T" Male (H-SM)** has one 1/2" tab and is used with an Outside Corner Female (H-OCF) or Single "T" Female (H-SF). **H-SM Ship#3 \$9.04**

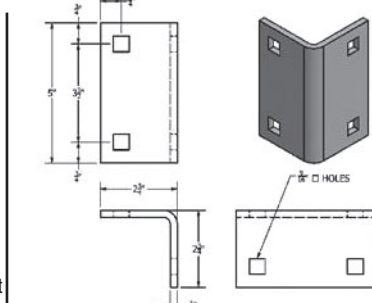
# WOOD DOCK HARDWARE WWW.MERCOMARINE.COM 1-304-737-3006

## WOOD DOCK HARDWARE

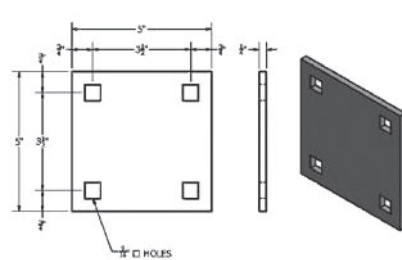
MADE WITH 1/4" HIGH STRENGTH STEEL THEN HOT DIPPED GALVANIZED



**Washer Plates (H-W)** are used mostly with Angles (H-A) and Cleat Angles (H-CA). The square hole in the plate keeps the carriage bolts from turning when the bolts are tightened. **H-W Ship# 1 \$1.22**



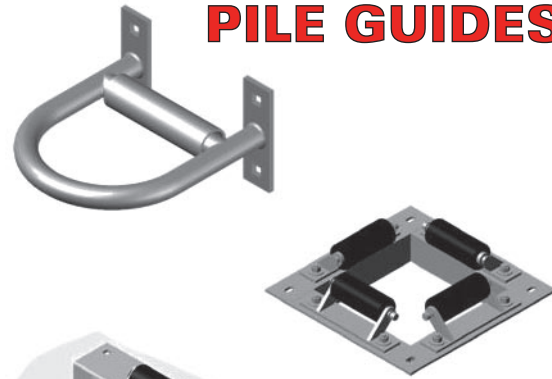
**Angles (H-A)** used to hold all cross stringers to side stringers using a Washer Plate (H-W). The wood is sandwiched between the steel and creates a solid corner. **H-A Ship# 2 \$3.38**



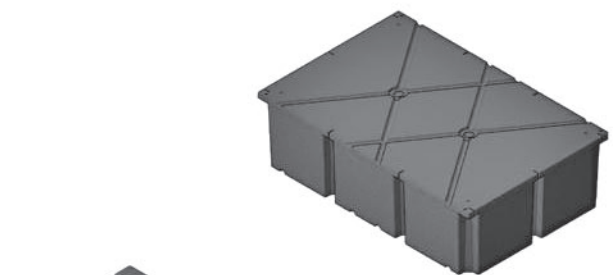
**Backup Plates (H-B)** are used with Single "T" Males (H-SM) and Single "T" Females (H-SF) for additional strength and to keep bolts from pulling through the wood. **H-B Ship# 2 \$3.23**

We also stock

**PILE GUIDES**



**FLOAT DRUMS**

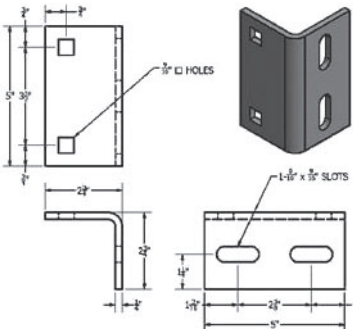


**CLEATS**

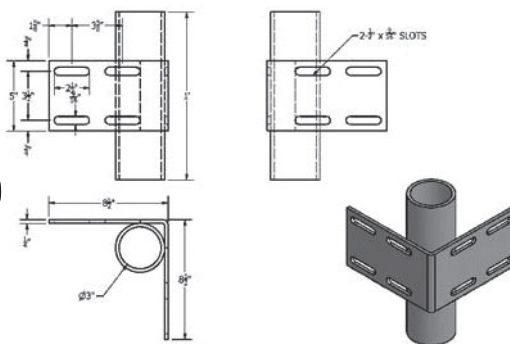


WOOD DOCK HARDWARE

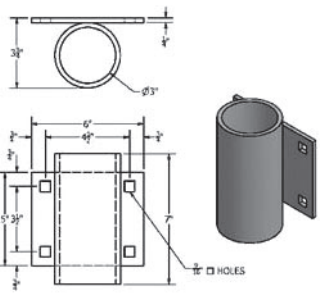
HARDWARE THICKNESS  
**1/4"**



**Cleat Angles (H-CA)** have slots for various sizes of cleats. The cleat angle is bolted to the side stringer using a Washer Plate (H-W). The cleat is then bolted through the deck into the cleat angle. This keeps the cleat from pulling out of the deck. **H-CA Ship# 2 \$4.78**



**Inside Corners/3" I.D. Pipe Holder (H-IC3)** has a 3" I.D. pipe holder welded in place. It can be used to replace a regular inside corner. It will accommodate a 2" I.D. pipe. **H-IC3 Ship# 13 \$25.78**



**3" Pipe Holder (P-3)** can bolt to the side stringer and uses 2" standard pipe to anchor docks in place. **P3 Ship# 6 \$16.08**

**3" Pipe Holder (H-OCEP3)** outside corner end with a pipe holder welded to the end. 3" opening for 2" pipe. Save money by getting 2 pieces of hardware in one **H-OCEP3 Ship# 11 \$22.73**

