

# MASTER MECHANIC MARINE™

A Certified Power Business  
www.mastermechanicmarine.com

## For ALL of your Hydraulic Systems & Components Needs!

Thousands of items in stock!

TO ORDER CALL: 800-877-8350 ISSUE # BHQ117  
OR EMAIL: mmmsales@certifiedpower.com

We specialize in Custom built Gas, Diesel and Electric Hydraulic Power Packs with Reservoirs, Filters, etc. We'll help you design it, then quote you a price!

### MASTER DESIGNED GAS & DIESEL POWER UNITS

#### GAS MODELS

ITEM #	HP	GPM	PRICE
BH-K5.5H-10	5.5HP	11 GPM @ 800PSI	CALL FOR PRICE
BH-K9.5H-20	9.5HP	8 GPM @ 2000PSI	CALL FOR PRICE
BH-K14H-20	14HP	10 GPM @ 2000PSI	CALL FOR PRICE
BH-K19H-20	19HP	15 GPM @ 2000PSI	CALL FOR PRICE
BH-K25H-30	25HP	20 GPM @ 2000PSI	CALL FOR PRICE
BH-K37H-40	37HP	30 GPM @ 2000PSI	CALL FOR PRICE



#### DIESEL MODELS AIR-COOLED

ITEM #	HP	GPM	PRICE
BH-KD350-10	6.1HP	11GPM @ 800PSI (2-STAGE PUMP)	CALL FOR PRICE
BH-KD440-20	9.1HP	7GPM @ 2000PSI	CALL FOR PRICE
BH-KD6252-20	22.1HP	17GPM @ 2000PSI	CALL FOR PRICE

• IF A HIGHER HP IS REQUIRED PLEASE CALL FOR PRICING! • STAND ALONE POWER UNITS AVAILABLE! •

### MARINE CLUTCH PUMP KITS (SINGLE & DOUBLE PUMPS)

Drive off truck or equipment engines. Drive-shaft or belt driven options.

Clutch pump kits come with: Bi-Rotational Pump, Clutch, Switch and Mounting Bracket.

ITEM #	MAX PRESSURE	GPM@1200	GPM@2000	GPM@3000	PRICE
BH119	3000	9.6	16	24.1	\$429.00
BH119X	3000	12.8	21.5	32.2	\$429.00
BH119XX	3000	17	26	43.4	\$589.00
BH119XXX	3000	23	34.8	N/A	CALL FOR PRICE

Just added drive-shaft driven clutch pump assembly:

ITEM #	MAX PRESSURE	GPM@1200	GPM@2000	GPM@3000	PRICE
BH200	3000	30	51	77	\$2,699.00



### STAINLESS STEEL BOOM WINCHES, PLANETARY WINCHES & ANCHOR HOISTS

Planetary winches can hold up to 300 ft. of 1/2" cable.

Boom winches hold up to 230 ft. 5/16" cable.

ITEM #	MAX CONT. FLOW	LINE PULL	MAX LINE SPEED	PRICE
BHPSVH-10000	15.9 GPM	10,000 LBS	46 FPM	\$1,200.00
BHPSVH-15000	15.9 GPM	15,000 LBS	30 FPM	\$1,575.00
BHPSVH-18000	15.9 GPM	18,000 LBS	23 FPM	\$1,826.00
BHPSVH-20000	15.9 GPM	20,000 LBS	7.1 FPM	\$4,850.00



ITEM #	DESC.	RPM @ RATED FLOW	LINE PULL	PRICE
BH1008	ANCHOR HOIST	300RPM @ 12GPM	900 LBS	\$795.00

DESC. (12GPM @ 2000 PSI: 4700 LBS LINE PULL EMPTY SPOOL)	PRICE
S.S. BOOM WINCH W/BRAKE	\$1,999.00
PAINTED STEEL BOOM WINCH W/BRAKE	\$1,699.00

(custom brake motor available)

### 1, 2, 3 SPOOL MONO-BLOCK VALVES AND STACK VALVES UP TO 1-10 SECTIONS PER STACK

Perfect for operating winches, cylinders, reels, pot haulers and much more.

- 2 GPM - 75 GPM
- 1500 PSI - 5000 PSI
- Stainless Steel



DESCRIPTION	PRICE
Spring Return Control Valve	\$85.50
1, 2, 3 Spool Control Valves	\$118.50
4-Spool Valve	\$779.50

### HYDRAULIC ACCESSORIES

- S.S. Gauges
- Relief Valves
- Return Filters
- S.S. Check Valves
- Cushion Valves
- Handle Kits
- Seal Kits
- Hose & Fittings
- Bushings
- Hydraulic Oil
- S.S. Ball Valves
- Brass Ball Valves
- Reservoirs
- Love Joy Coupling

### STAINLESS STEEL GRESEN & BRAND HYDRAULICS ROTARY SPOOL VALVES

- Great for Pot Haulers
- 1500psi - 3000psi
- Up to 45gpm
- Stainless Steel
- Built-in Flow Control
- Built-in Relief Valve

ITEM #	DESC.	PRICE
BH449	GRESEN ROTARY SPOOL	\$499.00
BH449-SS	GRESEN ROTARY SPOOL	\$755.00
BH1072-SS	BRAND ROTARY SPOOL	\$379.50
BH755-SS	S.S. BRAND ROTARY SPOOL	\$226.50

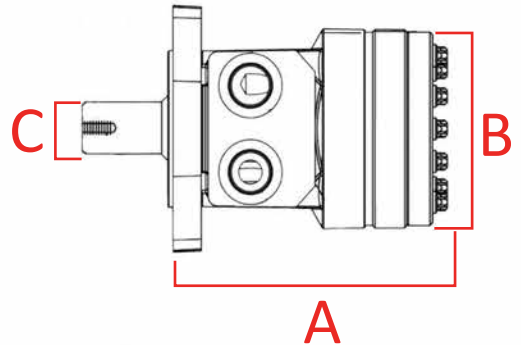


### LOW SPEED, HIGH TORQUE HYDRAULIC MOTORS

Master Mechanic Marine provides you with today's leading manufactured hydraulic motors. **NO TAG? NO PROBLEM!**

Our hydraulic specialists can get you a replacement motor with little dimensional data from your motor. (Imports are available).

- 1000 PSI - 3000 PSI
- 2 GPM - 70 GPM
- 2,000 in/lbs - 16,000 in/lbs
- All Straight Key Shafts and Splined Shafts Available
- 2-Bolt, 4-Bolt, 6-Bolt, Wheel Mounts



PRICES STARTING AT .....\$239.00

### VANE PUMPS & DOUBLE PUMPS

#### GRESEN TC24, TB12, V10, V20, 25VQ & VTM42

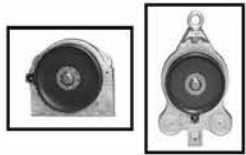
- 500 PSI - 3000 PSI
- 3 GPM - 55 GPM
- Up to 3,000 RPM
- Straight Key Shafts
- Splined Shafts

ITEM #	PRICE
V10	\$233.23
V20	\$250.79
VTM42	\$325.99
TB12	\$429.78
TC24	\$489.50



### POT HAULERS - 8", 10", 12", 14", 17"

- Completely Stainless Steel Options
- Top-Performing Hydraulic Motors
- Higher Speed or Higher Torque Options
- Line Speeds from 275-350 ft/min.
- Line Pulls from 310-1750 lbs.



PRICES STARTING AT.....\$699.00

### MONTHLY SPECIAL DRIVE-SHAFT ASSEMBLY



- DRIVE PUMPS
- ELECTRIC CLUTCHES
- U-JOINTS INCLUDED
- COMPANION FLANGES
- SLIP YOKES

ITEM #	PRICE
BH-1310	\$325.00
BH-1410	\$375.00
BH-1550	\$425.00

### STAINLESS STEEL STEERING UNITS

Master Mechanic Marine provides top of the line steering units. We can calculate your requirements and size the ram for you as well.

(Stainless Steel Helm Sold Separately)

ITEM #	PRICE
Class II	\$779.00
Class III	\$879.00
Class IV	\$979.00



### TIE-ROD AND WELDED HYDRAULIC CYLINDERS

ALL bores and strokes available!

Top leading manufactureres and imports available.

- A-Frames
- Steering
- Log Splitters

BORE & STROKE	TYPE	PRICE
2 X 8	TIE-ROD CYLINDER	\$69.38
2.5 X 8	TIE-ROD CYLINDER	\$82.41
3 X 8	TIE-ROD CYLINDER	\$83.99

