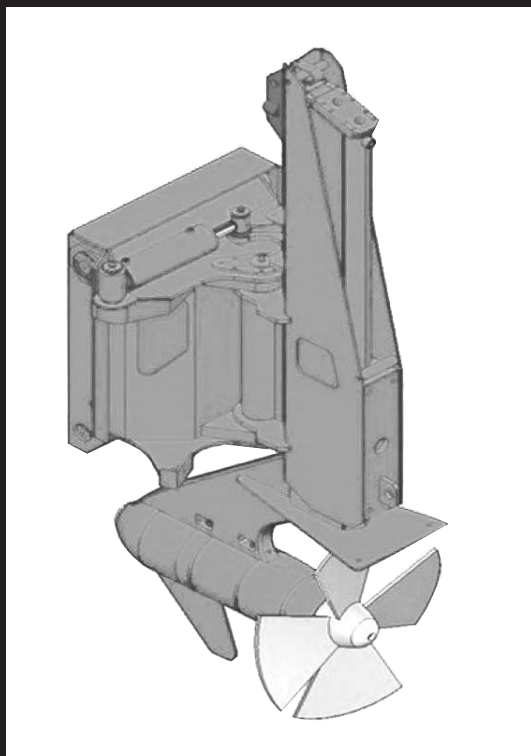


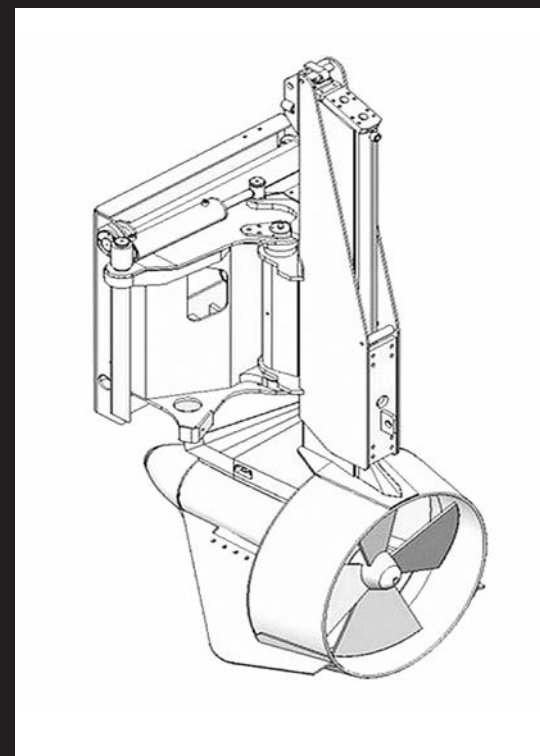
HYDRO ARMOR RETRACTABLE RUDDER PROPELLERS TUNNEL THRUSTERS AND SEA CRANES



**HYDRO ARMOR
RETRACTABLE
PROPULSION UNIT
WITH TILTING**



**HYDRO ARMOR
UNITS ARE
OFFERED FROM
50 HP TO 650 HP**



**HYDRO ARMOR
RETRACTABLE PROPULSION
UNIT WITH TILTING
AND NOZZLE**

HYDRO ARMOR MARINE EQUIPMENT BUILT AND PROVEN FOR OVER 42 YEARS WORLDWIDE



**SEA CRANES
HYDRAULIC DRIVEN
OFFERED UP
TO 40 TONNES**



**TURN KEY
DECK MOUNTED
PROPULSION UNITS
50 HP TO 650 HP**



**HYDRAULIC DRIVEN
BOW AND STERN
THRUSTERS FROM
50 HP TO 650 HP**

Our Factory Is Full B.V. Classed, Thrusters Fit On Every Boat, Are Fully Submergible, Have Many Safety Features For Shallow Water, Engine Can Be Placed Anywhere, Are Silent, Solid, Green (Bio Oil), And Have Low Maintenance. Generator And Auxiliary Hydraulic Equipment Can Be Connected And Supplied In One Powerpack.

**CONTACT:
MAIN AGENT WORLDWIDE
D.W.G. TRADING B.V.
Gendt Holland
Mr. Willy Derksen
01131-481-424303
www.dwgtrading.com
info@dwgtrading.com**



**CONTACT:
NORTH, CENTRAL
AND SOUTH AMERICA
SPEEDY MARINE SUPPLY, LLC
Pearl River, Louisiana
Mr. Chris Johnsen
1-985-863-8793
www.speedymarine.com
speedymarine@gmail.com**