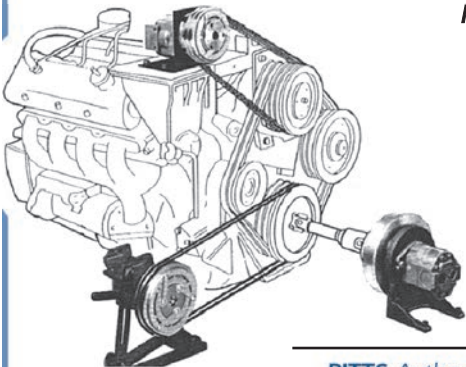


# Ask For

**PITTS**

## **Electric Clutches**

**SHAFT OR V-BELT DRIVEN  
MARINE CLUTCHES**



**Adaptable, Dependable...  
Easy to Install & Maintain**

- 75 to 1500 lbs. ft
- 12 or 24 VDC power supply
- Zinc plated - meets ASTM B-117 salt spray test
- SAE pump mount options available

---

*PITTS Authorized Dealer:*

 **Coastal Hydraulics, Inc.**

(603) 474-1914 • [sales@coastalhyd.com](mailto:sales@coastalhyd.com)

[www.coastalhyd.com](http://www.coastalhyd.com)

28 Route 286, Seabrook, NH